

Specialty Apple Packaging for the Gift Pack Market



- Apple Gift Packs hold from 6 to 48 apples
- Colored soft foam inserts, with removable cutouts for adding jams, jellies, cheese, maple syrup, etc.
- Rugged 200 lb. test containers, white with two-color printing
- Foam colors: white,  GREEN  PURPLE 

Plastifoam – 59 Daniel Webster Highway, Merrimack, NH 03054
Tel: 603-641-9814 • 800-752-7836 • Fax: 603-644-7157 • www.plastifoam.com

Apple Gift Pack Pricing 2019

Box is shipper style with attached self-locking lid, clay white with two color printing (red and green).

Side Panel	APPLES DO NOT DROP
Side Panel	APPLES KEEP FROM FREEZING

Lid Design

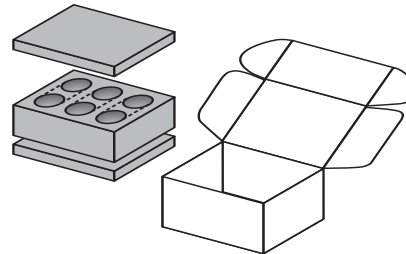


6 Count Gift Pack

Quantity	White	Green	Purple
25 sets	6.63	7.78	7.78
50 sets	5.26	6.16	6.16
100 sets	4.57	5.36	5.36
250 sets	4.16	4.87	4.87
500 sets	3.78	4.43	4.43
1000 sets	3.61	4.22	4.22

+ Freight on all orders

Inside dimension: 12" x 8" x 3½". Hole size: 2⅝"

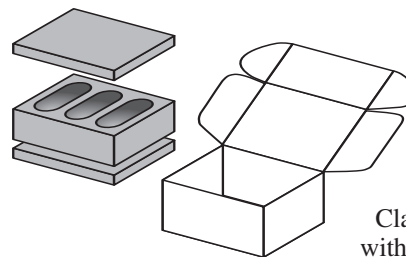


3 Count Jam & Jelly Gift Pack

Quantity	White	Green	Purple
25 sets	6.63	7.78	7.78
50 sets	5.26	6.16	6.16
100 sets	4.57	5.36	5.36
250 sets	4.16	4.87	4.87
500 sets	3.78	4.43	4.43
1000 sets	3.61	4.22	4.22

+ Freight on all orders

Same dimensions and specifications as the 6 Count Gift Pack, but with 3 conversions.



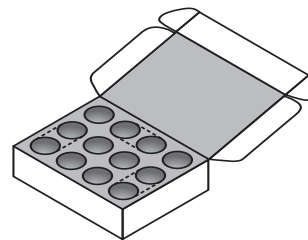
Clay white box with no printing.

12 Count Gift Pack

Quantity	White	Green	Purple
25 sets	8.04	9.46	9.46
50 sets	6.95	8.18	8.18
100 sets	6.43	7.58	7.58
250 sets	5.97	7.02	7.02
500 sets	5.52	6.50	6.50
1000 sets	5.36	6.31	6.31

+ Freight on all orders

Inside dimension: 14¾" x 11½" x 3½". Hole size: 2¾"

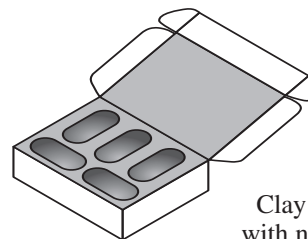


5 Count Jam & Jelly Gift Pack

Quantity	White	Green	Purple
25 sets	8.04	9.46	9.46
50 sets	6.95	8.18	8.18
100 sets	6.43	7.58	7.58
250 sets	5.97	7.02	7.02
500 sets	5.52	6.50	6.50
1000 sets	5.36	6.31	6.31

+ Freight on all orders

Same dimensions and specifications as the 12 Count Gift Pack, but with 5 conversions.



Clay white box with no printing.

Individual parts can be purchased on any size gift pack. Please call for pricing.

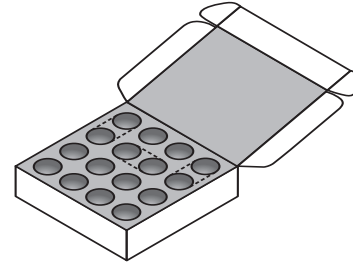
Apple Gift Pack Pricing 2019

16 Count Gift Pack

Quantity	White	Green	Purple
25 sets	9.62	11.26	11.26
50 sets	8.33	9.73	9.73
100 sets	7.70	9.01	9.01
250 sets	7.13	8.35	8.35
500 sets	6.61	7.73	7.73
1000 sets	6.42	7.50	7.50

+ Freight on all orders

Inside dimension: 14½" x 14½" x 3½". Hole size: 2¾"



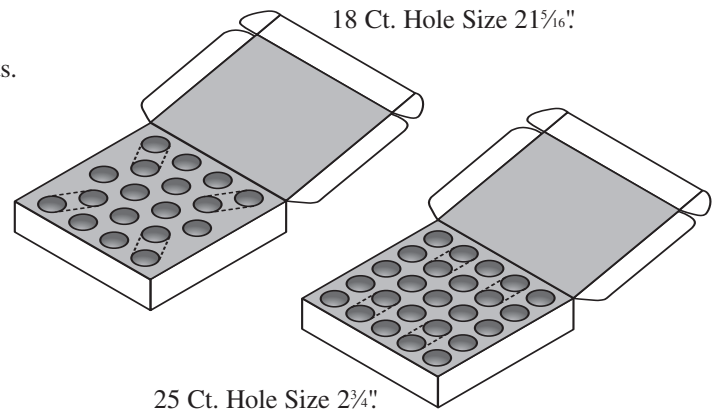
18 or 25 Count Gift Pack

Box is the same size for both 18 and 25 foam inserts.

Quantity	White	Green	Purple
25 sets	12.23	13.00	13.00
50 sets	10.76	11.69	11.69
100 sets	10.06	10.86	10.86
250 sets	9.42	10.59	10.59
500 sets	8.79	9.97	9.97
1000 sets	8.55	9.81	9.81

+ Freight on all orders

Inside dimension: 17¾" x 17¾" x 3½"



32 Count Multi-layer Gift Pack

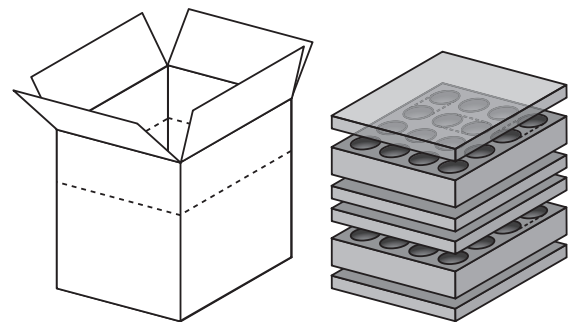
This box is the same size as the 48 Count Gift Carton.

It requires a quick alteration of cutting along each corner and contains a score to assist in folding the sides.

Quantity	White	Green	Purple
25 sets	15.85	18.74	18.74
50 sets	13.71	16.19	16.19
100 sets	13.06	15.42	15.42
250 sets	12.44	14.69	14.69
500 sets	11.84	13.99	13.99

+ Freight on all orders

Inside dimension: 14½" x 14½" x 7". Hole size: 2¾"



Foam for 32 count same as 16 count foam. 2 layers.

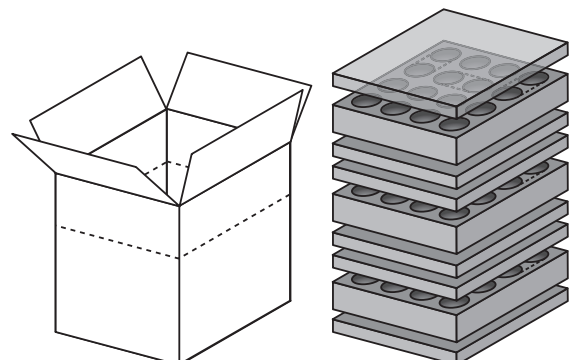
48 Count Multi-layer Gift Pack

This box is the same size as the 32 Count Gift Carton.

Quantity	White	Green	Purple
25 sets	20.79	24.25	24.25
50 sets	18.82	21.97	21.97
100 sets	17.93	20.92	20.92
250 sets	17.07	19.93	19.93
500 sets	16.28	18.98	18.98

+ Freight on all orders

Inside dimension: 14½" x 14½" x 10½". Hole size: 2¾"



Foam for 48 count same as 16 count foam. 3 layers.

Individual parts can be purchased on any size gift pack. Please call for pricing.

Multi-purpose Gift Pack Pricing 2019

16 Count Farm Fresh Gift Pack

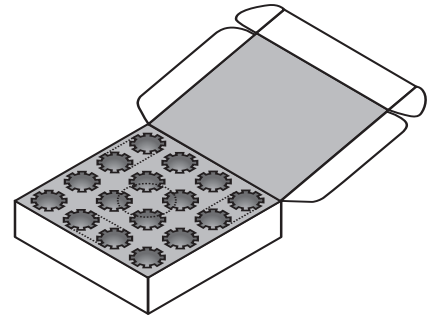
Quantity	Green	Purple
25 sets	12.56	12.56
50 sets	11.06	11.06
100 sets	10.33	10.33
250 sets	9.66	9.66
500 sets	9.03	9.03
1000 sets	8.78	8.78

+ Freight on all orders

Box is shipper style with attached self-locking lid, brown kraft with one color printing (dark green). Inside dimension: 16" x 16" x 4". Hole size accommodates 2¾" to 3½". Up to 4 conversions, with center cutout adaptable to 5" to 7½".



Carton Design



USPS Large Flat Rate Box Foam Inserts ONLY – NO BOX

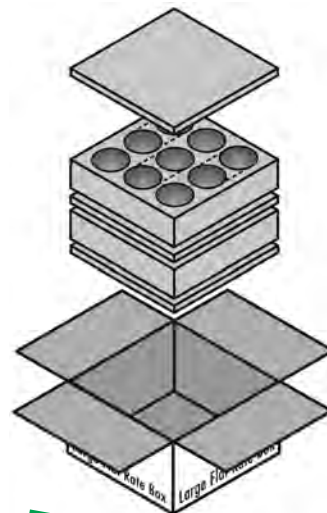
Minimum quantity 25 sets:
available as complete sets only.

Quantity	White	Green	Purple
25 sets	9.13	10.68	10.68
50 sets	7.90	9.23	9.23
100 sets	7.31	8.55	8.55
250 sets	6.76	7.92	7.92
500 sets	6.26	7.33	7.33
1000 sets	6.08	7.11	7.11

+ Freight on all orders

Inside box dimension: 12" x 12" x 5½". Hole size is 2¾".
(9 holes and 3 conversions per foam layer)

Prices may be subject to change, due to energy-related material cost instability beyond our control.



Individual parts can be purchased on any size gift pack. Please call for pricing.

Plastifoam – 59 Daniel Webster Highway, Merrimack, NH 03054

Tel: 603-641-9814 • 800-752-7836 • Fax: 603-644-7157 • www.plastifoam.com

Multi-purpose Packaging for the Gift Pack Market

Soft Foam Inserts for USPS Flat Rate Box



- Foam colors:



- Use a “If it fits, it ships” USPS Large Flat Rate box, available at no charge from your local Post Office.
- Add our colored foam inserts and ship fruit, jams, honey, cheese, maple syrup, etc. at a fixed cost, regardless of the weight or USA delivery address.
- Attractive white, green or purple foam inserts with removable cutouts hold up to 18 apples or may be used with up to 6 conversions for other products.
- A foam lined shipper helps guarantee damage-free arrival.

Farm Fresh Gift Packs

- Combine fruits, produce, and gourmet items in one protective shipper
- Foam-lined container guarantees damage-free arrival
- Unique, removable cutouts allow for different shapes and sizes
- Hole size cutouts accommodate 2¾" to 3½" dia.
- Holds up to 16 pcs. or may be used with up to 4 conversions, including center cutout

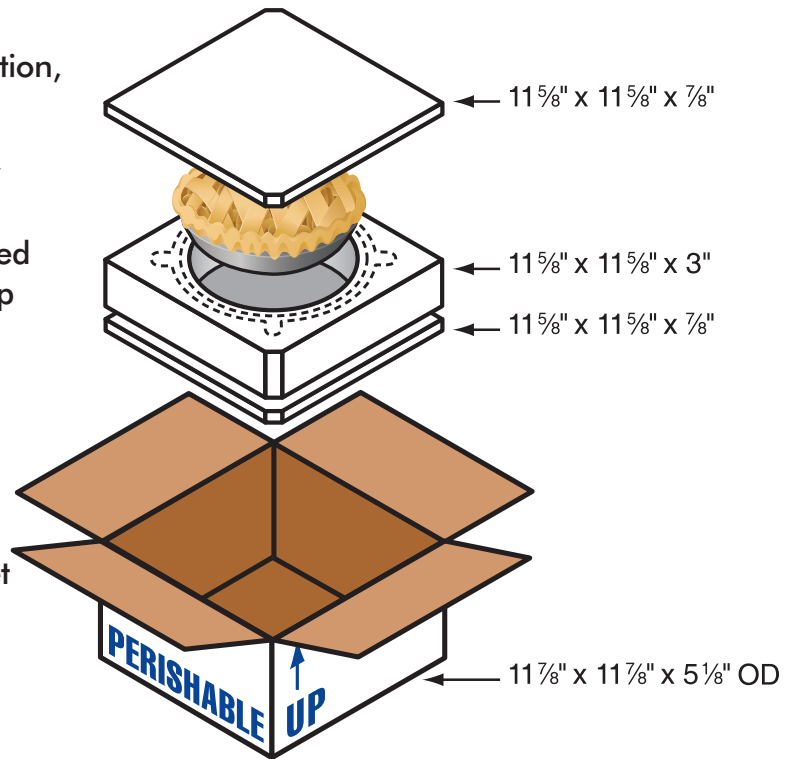
- Foam colors: GREEN  PURPLE 



Ezee Pie & Cake Ship'r

Perfect for Frozen Pies and Cakes

- Unique design provides excellent stabilization, protection, and multiple sizes.
- Each shipper comes set-up, ready to load, tape, and ship.
- Each shipper includes a sturdy white printed outside box and polystyrene insert with top and bottom pads (see illustration).
- Removable inserts allow for 8 1/8", 9 1/8", and 9 3/4" diameters.
- Removable pads adjust for variable inside depths (2", 2 1/2" and 3").
- Sold by the case (12 per case) or the pallet (16 cases per pallet).



Fits 8", 9" and 9 5/8" pans
(up to 3" high pie)

Quantity	Price
1-5 cases	\$5.48 ea. (\$65.76/case)
6-10 cases	\$5.24 ea. (\$62.88/case)
11-20 cases	\$5.10 ea. (\$61.20/case)
21-50 cases	\$4.98 ea. (\$59.76/case)

GEL PACKS

8 ounce Gel Packs, engineered for long-lasting temperature protection and durability. Sold by the case only (72 per case).

Quantity	Price
1 case of (72) Gel Packs	\$24.50/case

All pricing is FOB Merrimack, NH.

Please call for special pricing on higher quantities.

Specifications subject to change without notice.